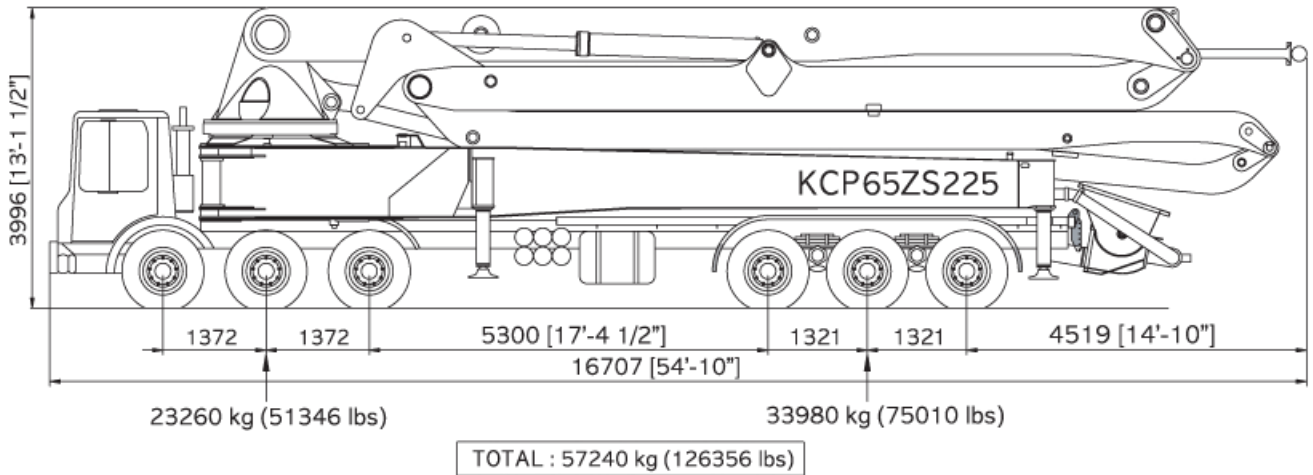


Our Pride...

KCP65ZS225

* Photos and drawings are for illustrative purpose only.

* Dimension will vary with different truck makers, models and specifications.

* Right to make technical amendments reserved.

■ Boom specifications

Vertical reach	64.4 M	(211' 2")
Horizontal reach	60.6 M	(198' 11")
Reach from front of truck	57.4 M	(188' 2")
Unfolding height	14.5 M	(47' 7")
Section articulation	92° / 180° / 215° / 180° / 210°	
Rotation	370°	
Delivery line	125 mm	(5")
Proportional boom	Yes	
End hose length	4 M	(13')
Outrigger spread-front	12.8 M	(41' 11")
Outrigger spread-rear	13.8 M	(45' 4")
Max.outrigger weight	65,000 kg	(143500 lbs)

■ Pump specifications

Maximum output	225 m ³ /h	(300 yd ³ /h)
Concrete cylinder	Ø280×2100mm	(11"×83")
Stroke per minute	29	
Concrete pressure(rod)	87.5 bar	(1270 psi)
Hopper capacity	0.6 m ³	(21 ft ³)
S-tube	Ø220×Ø180	(9"×7")
Hydraulic pump	Rexroth A20VLO190	
Cycling system	Hydraulic with manual overrides	
Max. aggregate size	60 mm	(2 1/2")

* Maximum theoretical values listed.

■ Working diagram