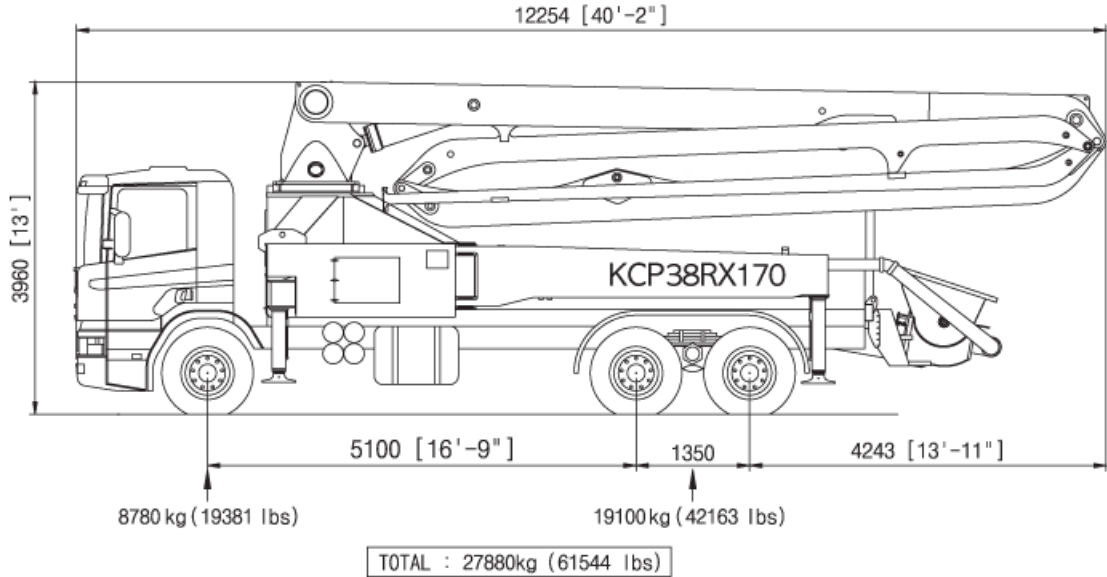


Our Pride...

KCP38RX170**■ Boom specifications**

Vertical reach	37.9 M	(124' 3")
Horizontal reach	34 M	(111' 8")
Reach from front of truck	31.6 M	(103' 9")
Unfolding height	9.4 M	(30' 10")
Section articulation	94° / 180° / 240° / 245°	
Rotation	370°	
Delivery line	125 mm	(5")
Proportional boom	Yes	
End hose length	4 M	(13')
Outrigger spread-front	6.18M	(20' 3")
Outrigger spread-rear	7.15M	(23' 5")
Max.outrigger weight	21,500 kg	(47460 lbs)

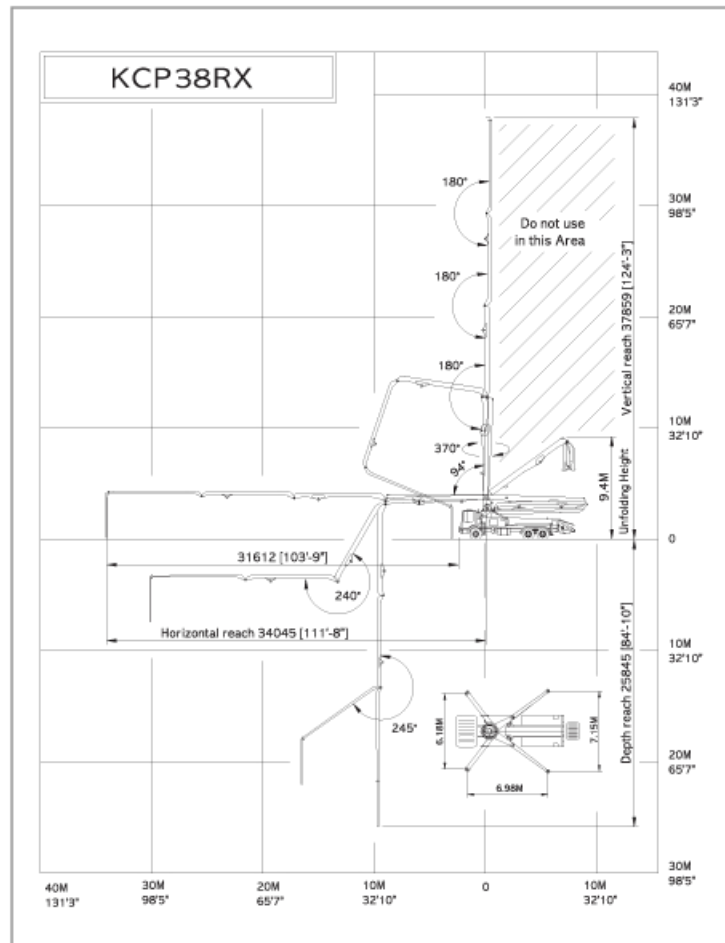
■ Pump specifications

Maximum output	170 m ³ /h	(222 yd ³ /h)
Concrete cylinder	Ø230×2100mm	(9"×83")
Stroke per minute	32	
Concrete pressure(rod)	72 bar	(1044 psi)
Hopper capacity	0.6 m ³	(21 ft ³)
S-tube	Ø200×Ø180	(8"×7")
Hydraulic pump	Kawasaki K3V140DT (Rexroth A11VQ260)	
Cycling system	Hydraulic with manual overrides	
Max. aggregate size	60 mm	(2 1/2")

* Photos and drawings are for illustrative purpose only.

* Dimension will vary with different truck makers, models and specifications.

* Right to make technical amendments reserved.

■ Working diagram

* Maximum theoretical values listed.