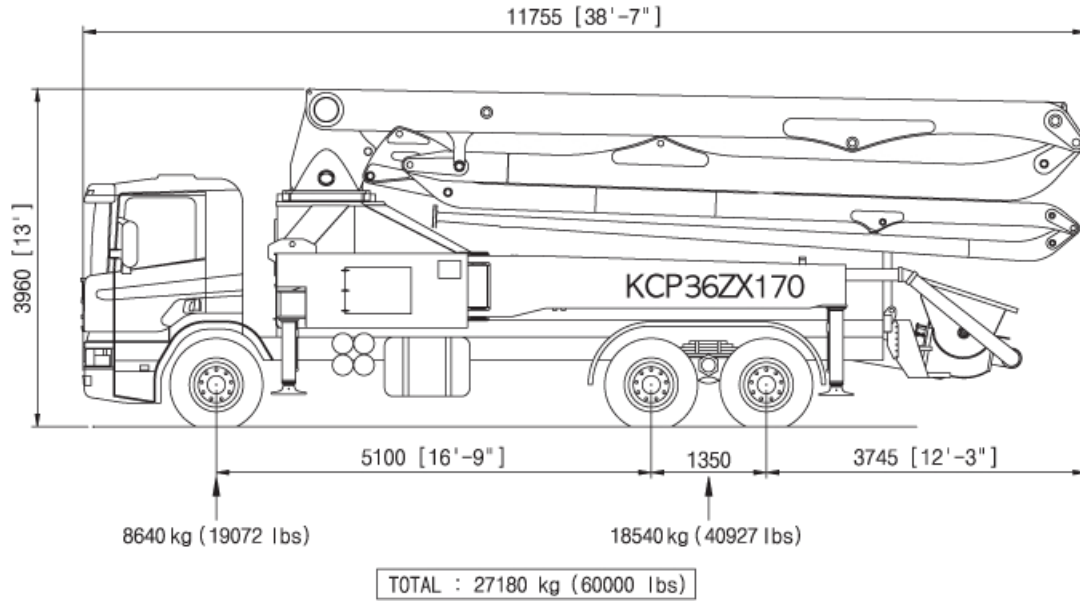


Our Pride...

KCP36ZX170**■ Boom specifications**

Vertical reach	35,7 M	(117' 2")
Horizontal reach	32 M	(105')
Reach from front of truck	29,5 M	(96' 11")
Unfolding height	9,3 M	(30' 6")
Section articulation	94° / 180° / 250° / 245°	
Rotation	370°	
Delivery line	125 mm	(5")
Proportional boom	Yes	
End hose length	4 M	(13')
Outrigger spread-front	6,18 M	(20' 3")
Outrigger spread-rear	7,15 M	(23' 5")
Max.outrigger weight	20,500 kg	(45250 lbs)

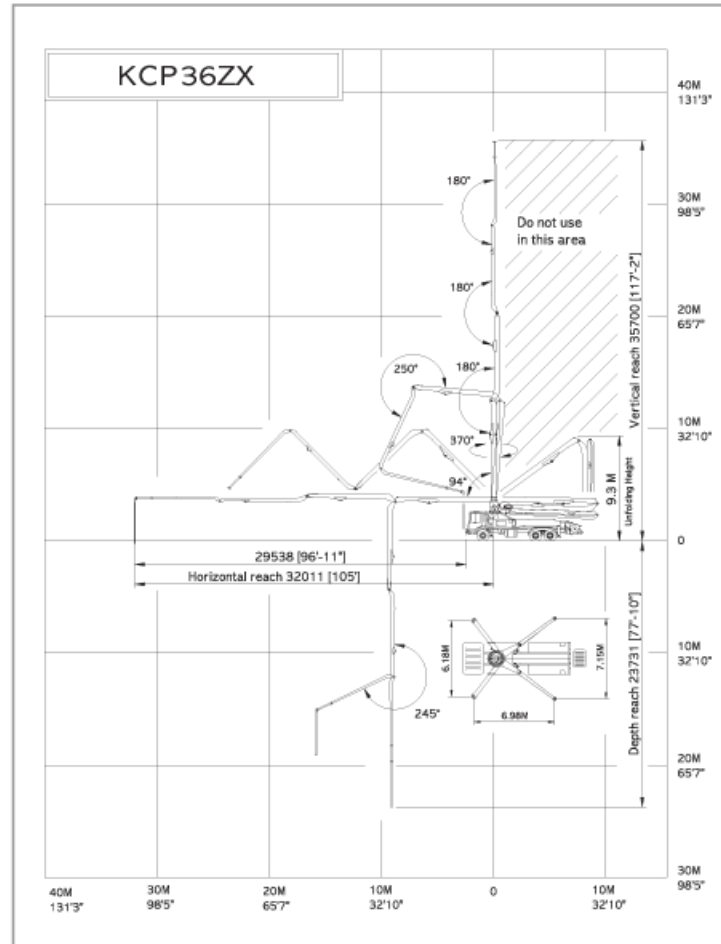
■ Pump specifications

Maximum output	170 m ³ /h	(222 yd ³ /h)
Concrete cylinder	Ø230×2100mm	(9"×83')
Stroke per minute	32	
Concrete pressure(rod)	72 bar	(1044 psi)
Hopper capacity	0,6 m ³	(21 ft ³)
S-tube	Ø200×Ø180	(8"×7")
Hydraulic pump	Kawasaki K3V140DT (Rexroth A11VC260)	
Cycling system	Hydraulic with manual overrides	
Max. aggregate size	60 mm	(2 1/2")

* Photos and drawings are for illustrative purpose only.

* Dimension will vary with different truck makers, models and specifications.

* Right to make technical amendments reserved.

■ Working diagram

* Maximum theoretical values listed.