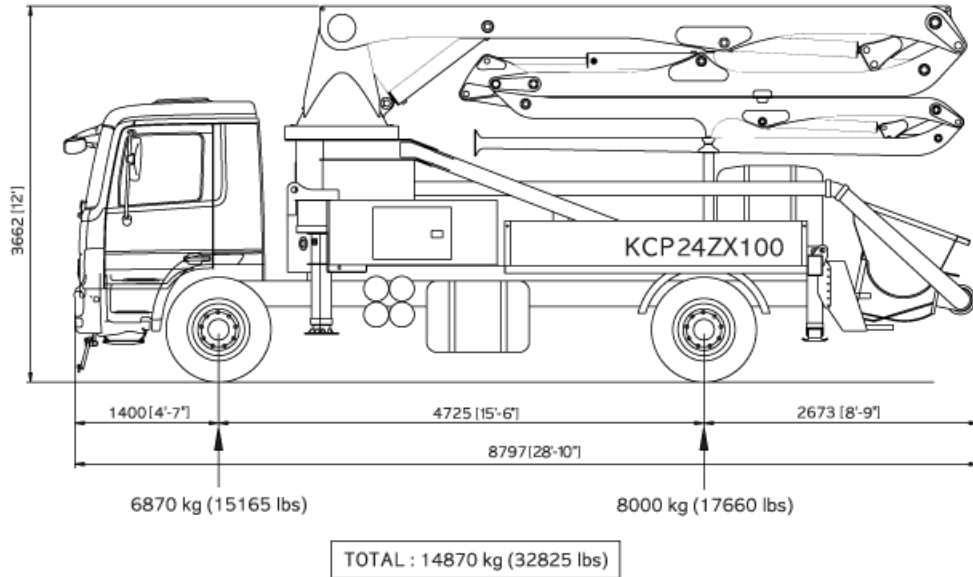


Our Pride...

KCP24ZX100**■ Boom specifications**

Vertical reach	23,2 M	(63' 3")
Horizontal reach	19,8 M	(54' 2")
Unfolding height	5,4 M	(14' 10")
Section articulation	94° / 180° / 260° / 250°	
Rotation	370°	
Delivery line	125 mm	(5")
Proportional boom	yes	
End hose length	3 M	(10')
Outrigger spread-front	5,6 M	(15' 4")
Outrigger spread-rear	2,65 M	(7' 3")
Max. outrigger weight	11000 kg	(24280 lbs)

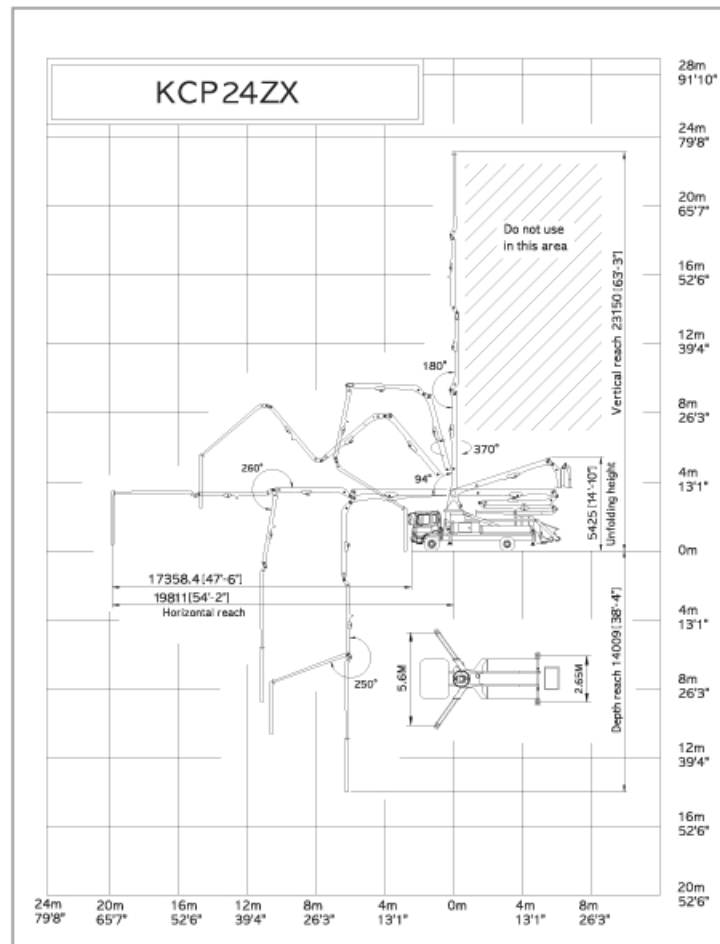
■ Pump specifications

Maximum output	90 m ³ /h	(118 yd ³ /h)
Concrete cylinder	Ø230 X 1400mm	(9" X 55")
Stroke per minute	28	
Concrete pressure	69 bar	(1000 psi)
Hopper capacity	0,6 m ³	(21 ft ³)
S-tube	Ø230 X Ø180	(8" X 7")
Hydraulic pump	Kawasaki K3V180S	
Cycling system	Hydraulic with manual overrides	
Max aggregate size	60 mm	(2 1/2")

* Photos and drawings are for illustrative purpose only.

* Dimension will vary with different truck makers, models and specifications.

* Right to make technical amendments reserved.

■ Working diagram

* Maximum theoretical values listed.